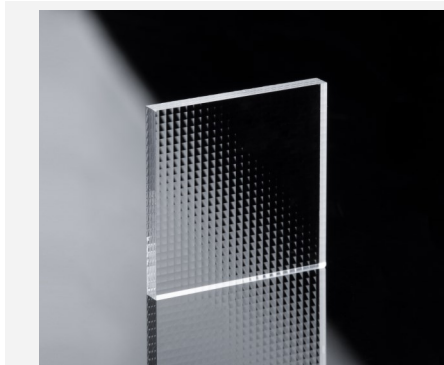


Homogenizer

Pitch 0.5



Features and Advantages

Lens array with cross-oriented cylindrical lenses on both sides.
Top hat profiles with high homogeneity can be generated in both dimensions.

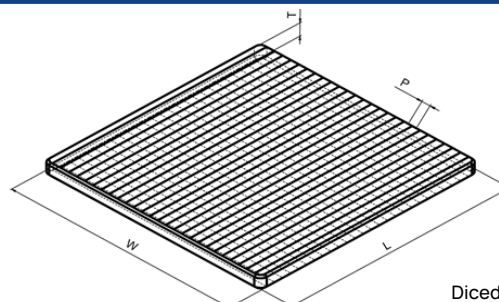
Product Specifications

Specification Data	Unit	Value
Material		Fused Silica
Length (L)	mm	12.0 ± 0.1
Width (W)	mm	12.0 ± 0.1
Thickness (T)	mm	2.0 ± 0.1
Clear Aperture	mm ²	10.0 x 10.0
Refractive Index n @ 248 nm / @ 532 nm / @ 1064nm		1.509 / 1.461 / 1.449
Pitch (P)	mm	0.5
Transmission (without coating)	%	> 90
Protective Chamfer	mm x 45°	NA
Surface Imperfections (DIN ISO 10110-7)		5/ 2×0,1; L1×0,25; E1.0

Product Code	ZLA000481	ZLA000238 ⁽¹⁾	ZLA000240 ⁽¹⁾	ZLA000234 ⁽¹⁾	ZLA000237 ⁽¹⁾	ZLA000485 ⁽¹⁾		
Specification Data	Unit	Value						
Radius	mm	2.15 ± 0.06	3.50 ± 0.11	5.50 ± 0.17	14.0 ± 0.42	21.0 ± 0.63	31.3 ± 0.94	
EFL	@ 248 nm	mm	4.23 ± 0.13	6.88 ± 0.21	10.8 ± 0.32	27.5 ± 0.83	41.3 ± 1.2	61.6 ± 1.8
	@ 532 nm	mm	4.67 ± 0.14	7.60 ± 0.23	11.9 ± 0.36	30.4 ± 0.91	45.6 ± 1.4	67.9 ± 2.0
	@ 1064nm	mm	4.78 ± 0.14	7.78 ± 0.23	12.2 ± 0.37	31.1 ± 0.93	46.7 ± 1.4	69.6 ± 2.1
Numerical Aperture [p / (2f)]	@ 248 nm		0.0591	0.0363	0.0231	0.0091	0.0061	0.0041
	@ 532 nm		0.0535	0.0329	0.0210	0.0082	0.0055	0.0037
	@ 1064nm		0.0523	0.0321	0.0204	0.0080	0.0054	0.0036

⁽¹⁾ Example for customization – design and dimensions on request.

Product Drawing (mm)



Diced asymmetrically – symmetric dicing on request

Rev 03 | Updated June 7, 2021 | RoHS compliant 2011/65/EU and 2015/863/EU

All rights reserved. Product specifications and descriptions are subject to change. All our products are patent pending. Please contact our sales representatives for complete details.

LIMO GmbH

Focuslight (Dongguan) Microoptics Co. Ltd.

Address: Bookenburgweg 4-8, 44319 Dortmund, Germany

Address: Room 301, Building 9, 38 Dongke Road, Dongcheng Street, Dongguan, Guangdong, P.R. China

Tel: +49 231 22 24 1-0 (DE) +86 29 8956 0050 (CN) | Email: sales@focuslight.com | Website: https://www.focuslight.com